



# A REVOLUTION IN VISITOR SIGNAGE TOTEM-WiFi INFOBOT

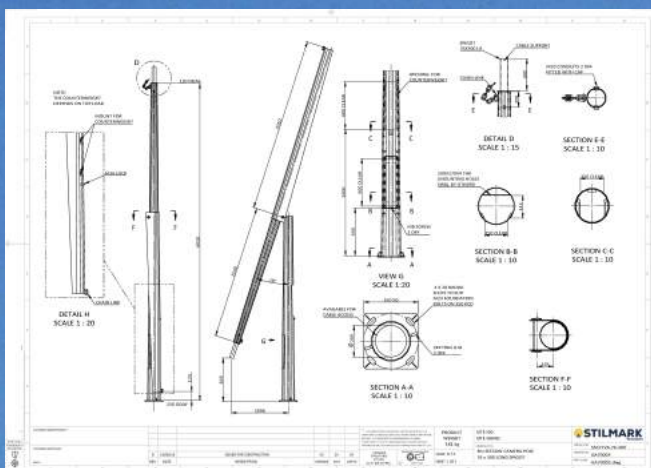
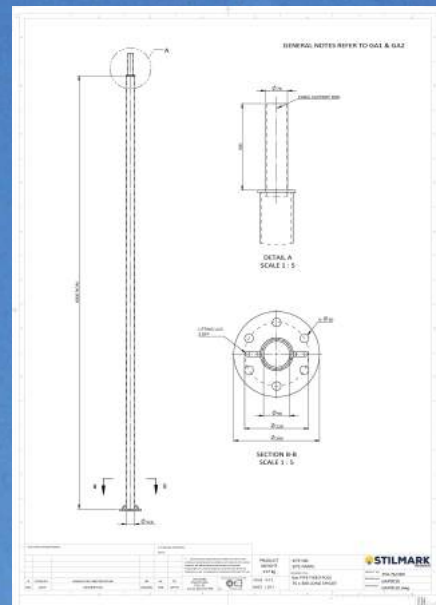
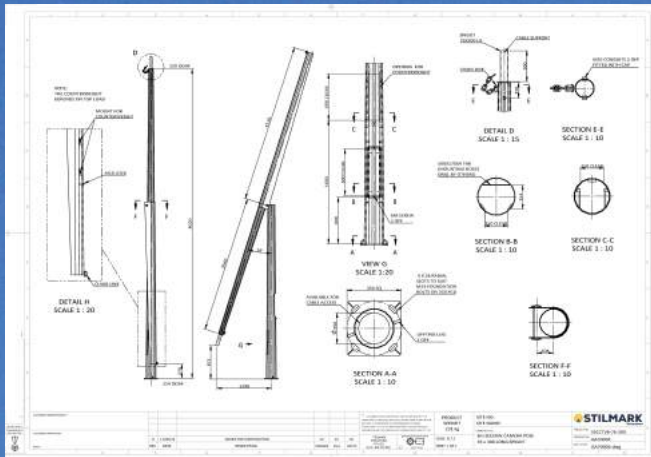
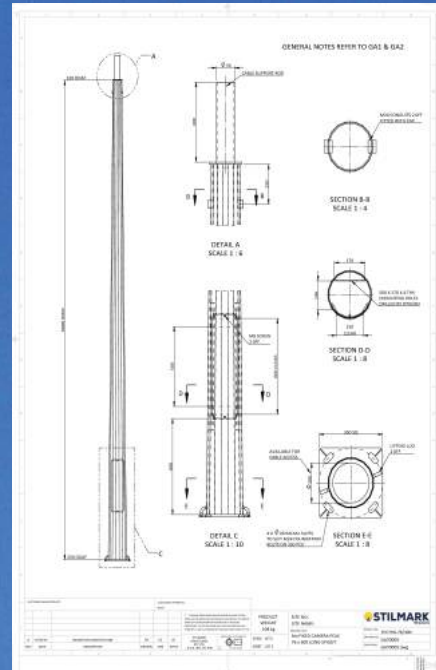
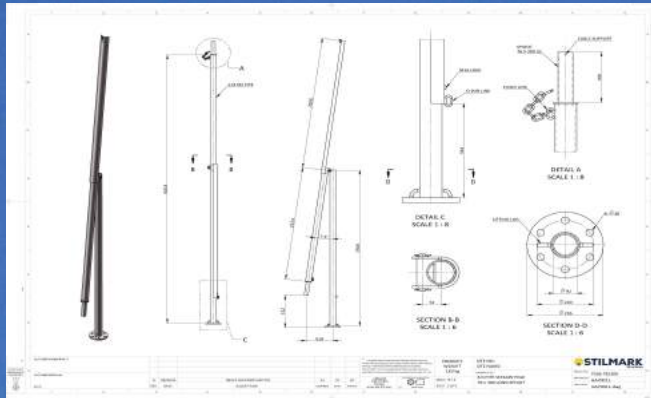


The TOTEM-WiFi system is a unique and patented product. Anyone with a smart phone, tablet or laptop with Wi-Fi capability and a modern web browser can connect to TOTEM-WiFi and view your customised information. It is free to use, nothing to pay, nothing to download.

## TOTEM-WiFi Fixed & Seesaw Poles

[www.totemwi-fi.com.au](http://www.totemwi-fi.com.au)

Part No	Description
TW06MFX	6m (16 sided fixed) for solar TOTEM-WiFi unit
TW06PFX	6m (fixed pipe pole) for solar TOTEM-WiFi unit
TW06MTL	6m (16 sided seesaw) for solar TOTEM-WiFi unit
TW06PTL	6m (seesaw pipe pole) for solar TOTEM-WiFi unit
TW08MTLC	8m (16 sided seesaw) for solar TOTEM-WiFi unit Region C, Terrain Category 2 and Topographic 1.2



**\*\* Note: specifications may change without notice \*\***



# Modular IFS Foundation System

"Relocatable" surface mount interlocking foundation system complete with locking cleats

## Pole foundation simplified:

Level surface compacted gravel



IFS blocks delivered by crane truck



Place blocks into position and lock with cleats



Part No	Description	Part No	No of Blocks
TW06MFX	6m (16 sided fixed) for solar TOTEM-WiFi unit	TWIFS4	4
TW06PFX	6m (fixed pipe pole) for solar TOTEM-WiFi unit	TWIFS4	4
TW06MTL	6m (16 sided seesaw) for solar TOTEM-WiFi unit	TWIFS7	7
TW06PTL	6m (seesaw pipe pole) for solar TOTEM-WiFi unit	TWIFS7	7
TW08MTLC	8m (16 sided seesaw) for solar TOTEM-WiFi unit Region C, Terrain Category 2 and Topographic 1.2	TWIFS7	13



\*\* Note: specifications may change without notice \*\*

For the full range of IFS products visit [www.ifsconstruction.com.au](http://www.ifsconstruction.com.au)